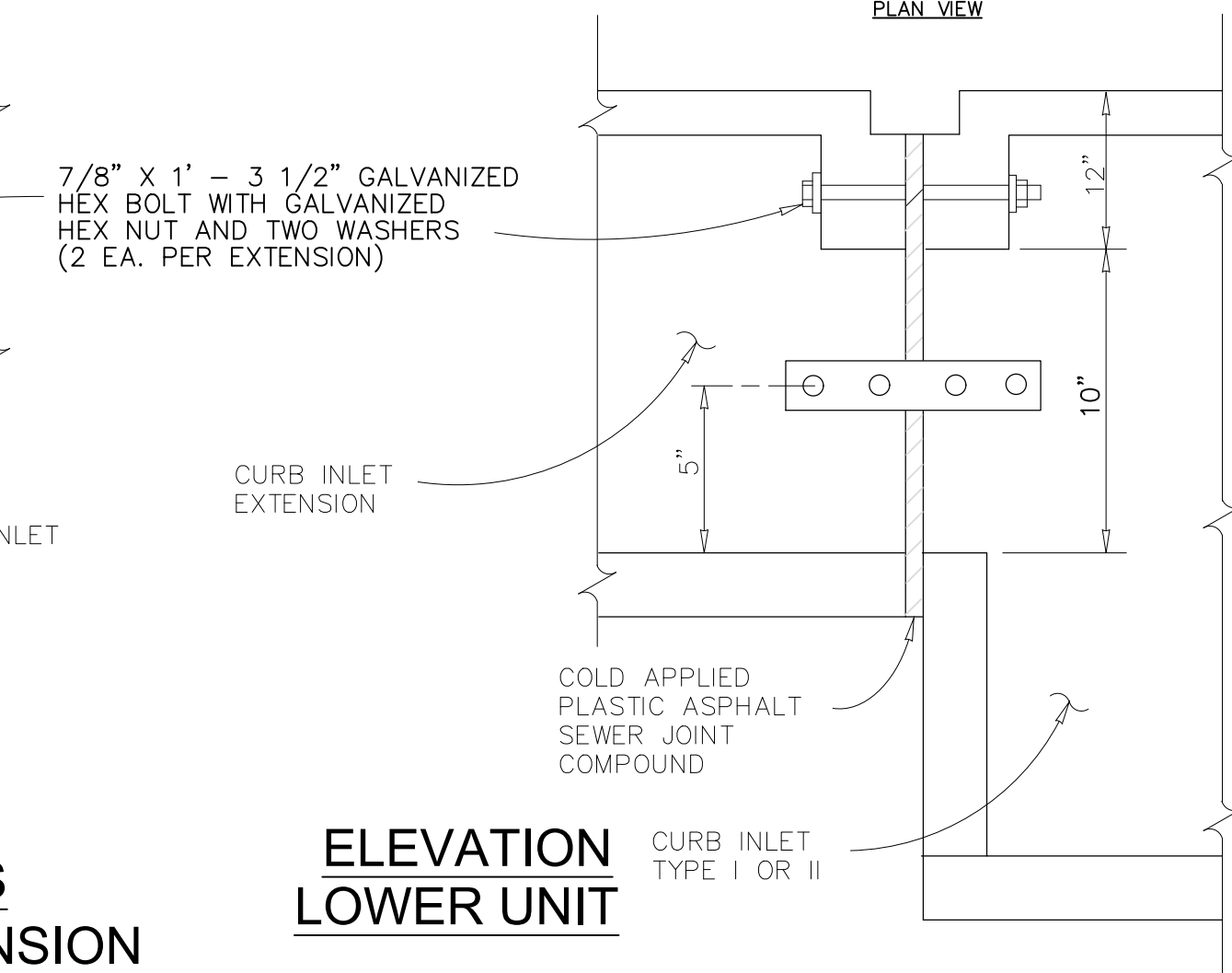


7/8" X 9" GALVANIZED HEX BOLT WITH GALVANIZED HEX NUT AND TWO WASHERS (4 EA. PER EXTENSION)

7/8" X 1' - 3 1/2" GALVANIZED HEX BOLT WITH GALVANIZED HEX NUT AND TWO WASHERS (2 EA. PER EXTENSION)

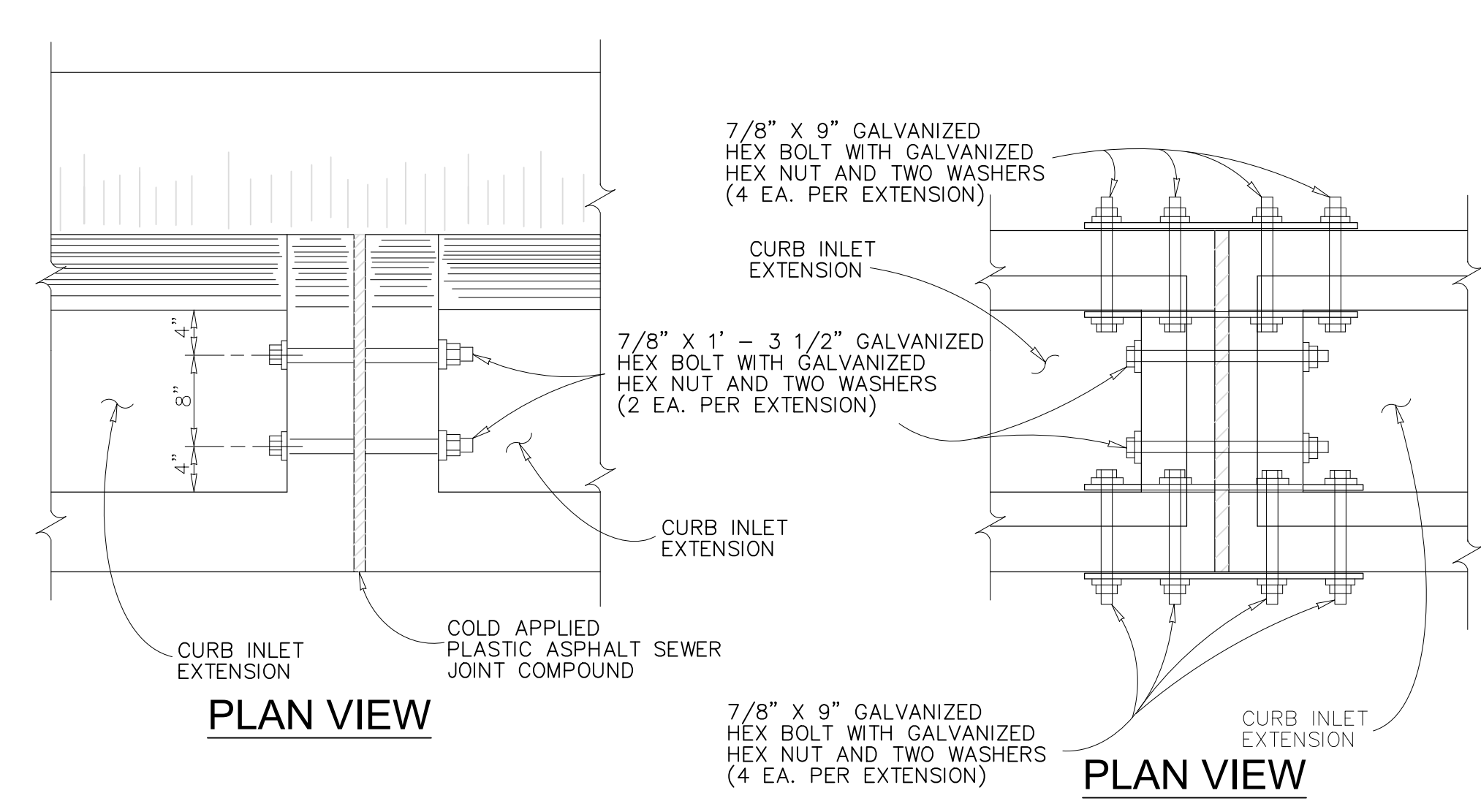
7/8" X 9" GALVANIZED HEX BOLT WITH GALVANIZED HEX NUT AND TWO WASHERS (4 EA. PER EXTENSION)

PLAN VIEW



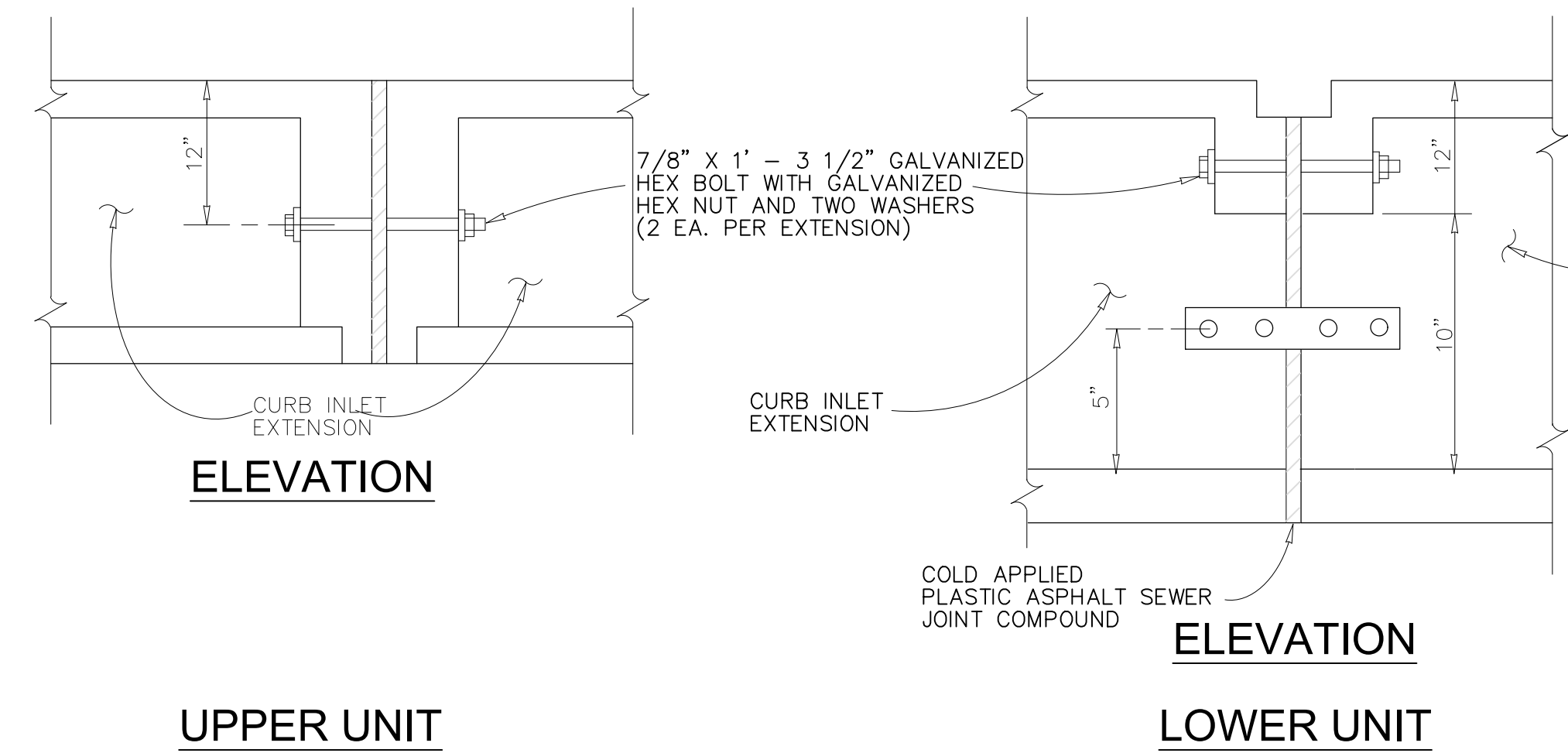
ELEVATION UPPER UNIT

ELEVATION LOWER UNIT



PLAN VIEW

PLAN VIEW



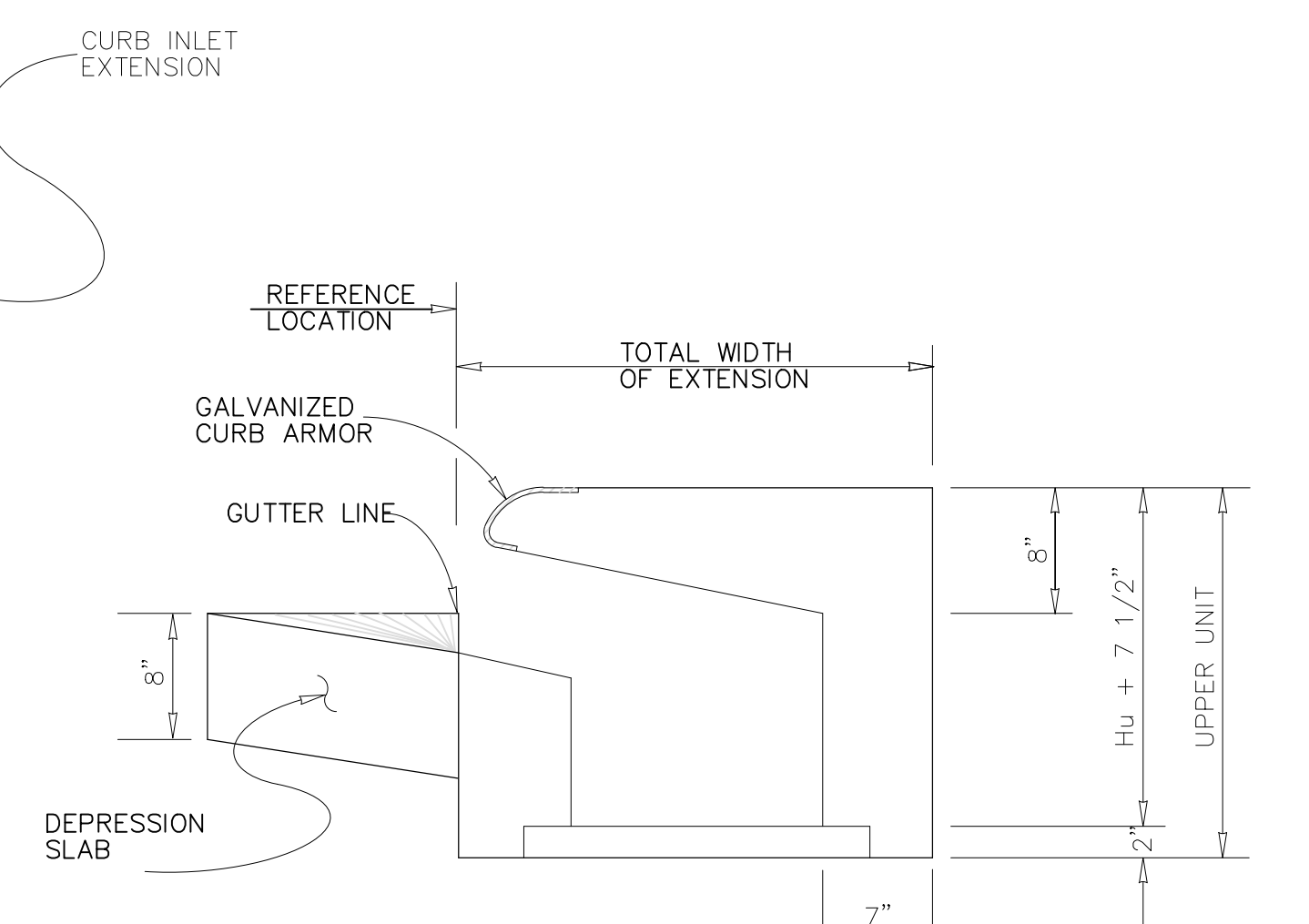
ELEVATION UPPER UNIT

ELEVATION LOWER UNIT

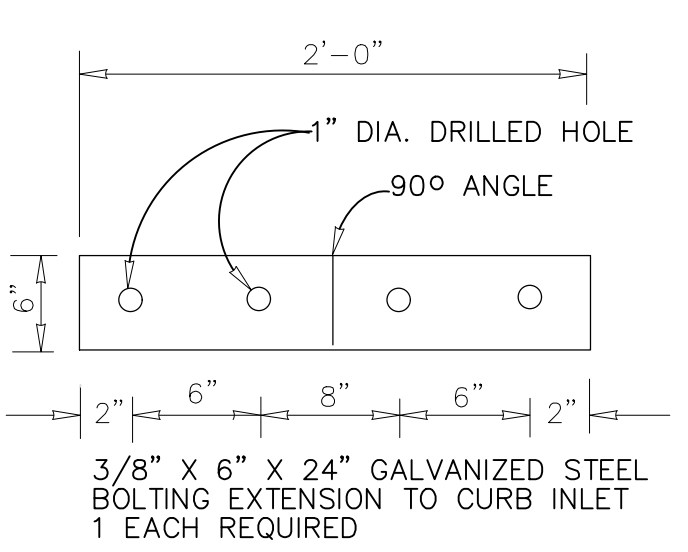
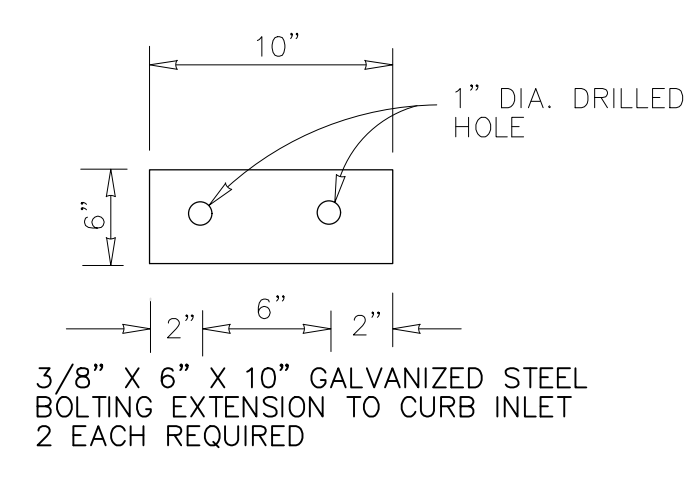
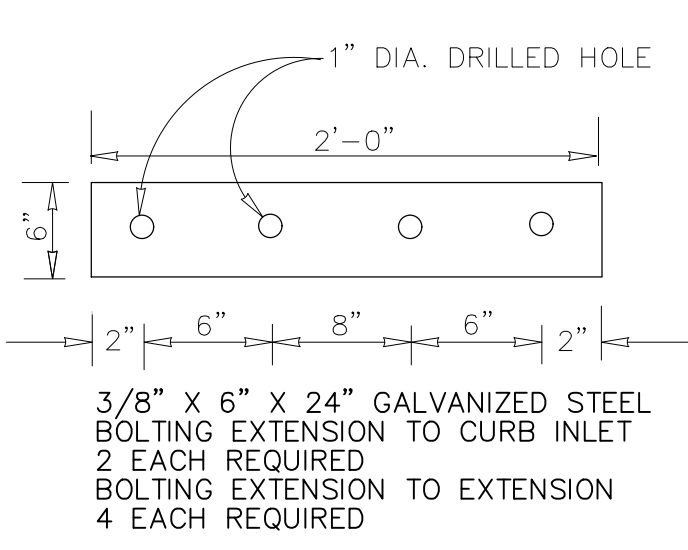
INLET BOLTING DETAILS SHOWING EXTENSION TO EXTENSION

NOTE:

1. CURB SEDIMENT INLET PROTECTION TO BE INSTALLED AND MAINTAINED UNTIL ACCEPTED BY THE CITY.
2. THE INLETS SHOULD BE MAINTAINED IN A CONDITION, WHICH WILL PREVENT SEDIMENT, TRASH OR DEBRIS FROM FLOWING INTO THE STORM DRAIN. THIS MAY REQUIRE ADDITIONAL SEDIMENT CONTROL MEASURES.
3. APPROVED CURB INLET MARKERS MUST BE INSTALLED AT ALL INLETS.
4. ALL SEDIMENT SHOULD BE PREVENTED FROM ENTERING ANY STORM DRAIN, DITCH OR WATER COURSE BY USING APPROVED METHODS.



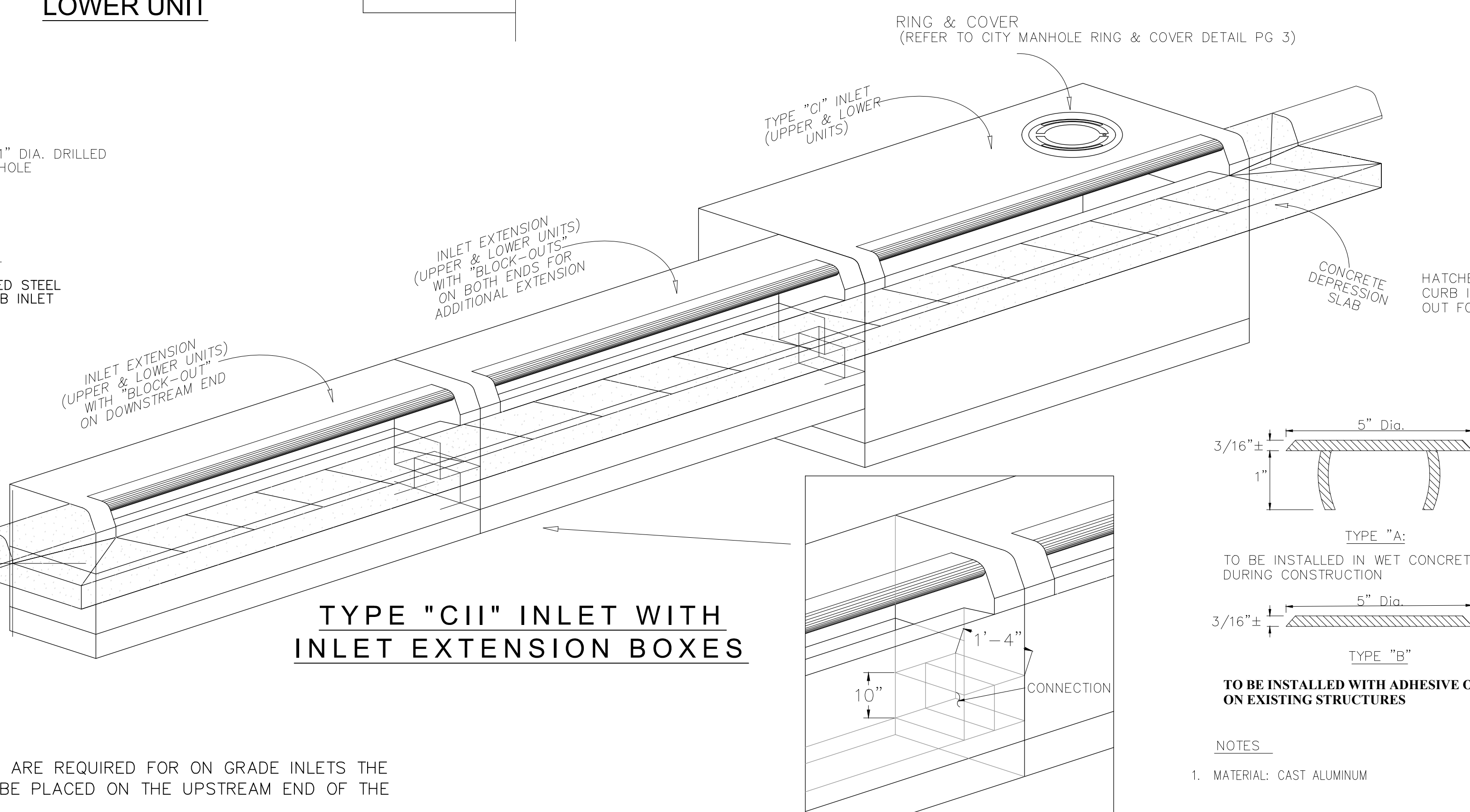
SECTION A-A CURB INLET EXTENSION TYPE E



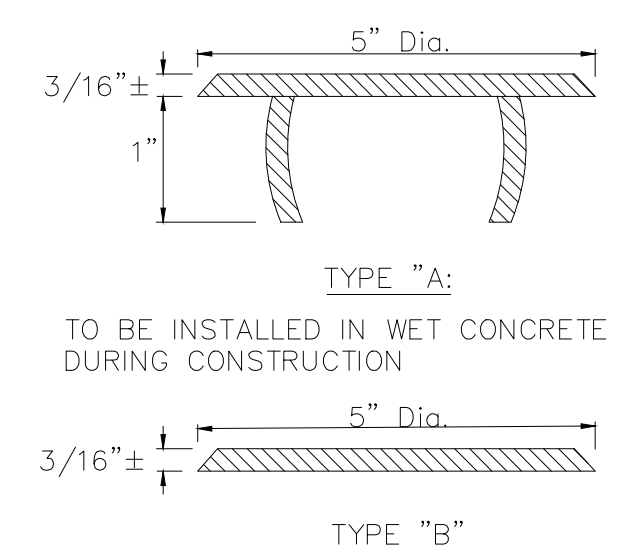
PLATES

NOTES

1. WHEN INLET EXTENSIONS ARE REQUIRED FOR ON GRADE INLETS THE EXTENSION(S) SHALL BE PLACED ON THE UPSTREAM END OF THE INLET.



TYPE "CII" INLET WITH INLET EXTENSION BOXES



NOTES

1. MATERIAL: CAST ALUMINUM



16-MAY-2019

CITY OF SCHERTZ TEXAS
ENGINEERING AND PUBLIC WORKS

DRAINAGE INLET DETAIL
N.T.S.

SCHERTZ
COMMUNITY * SERVICE * OPPORTUNITY