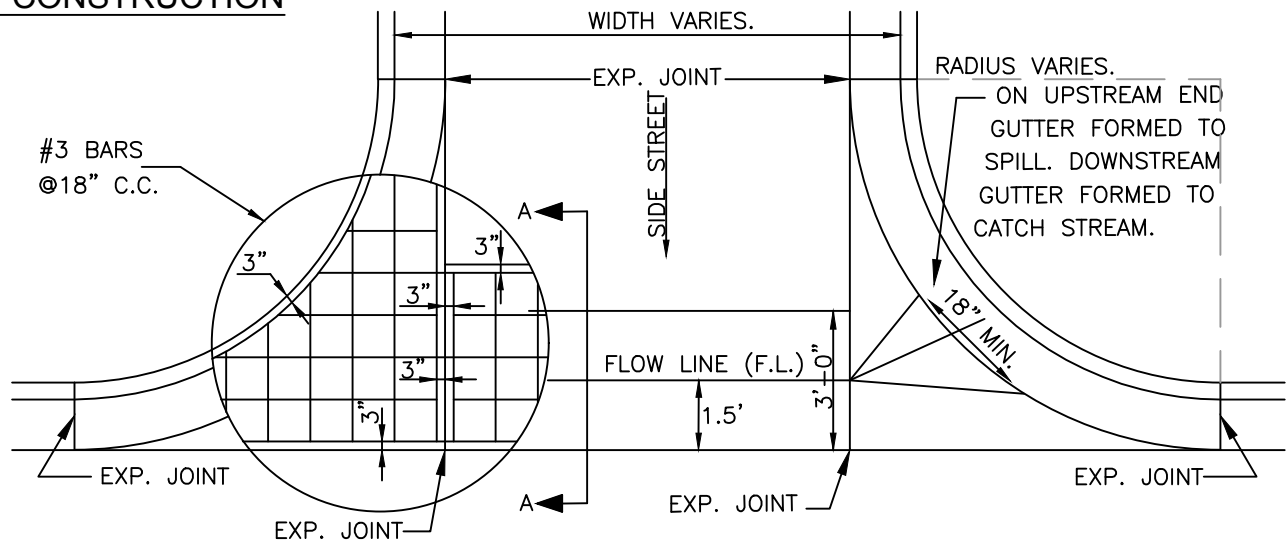
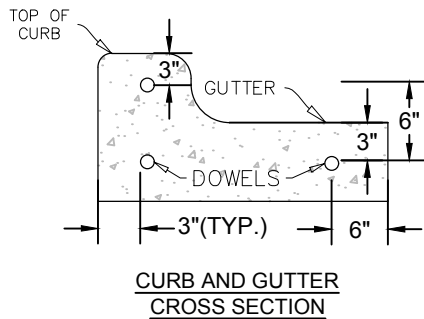


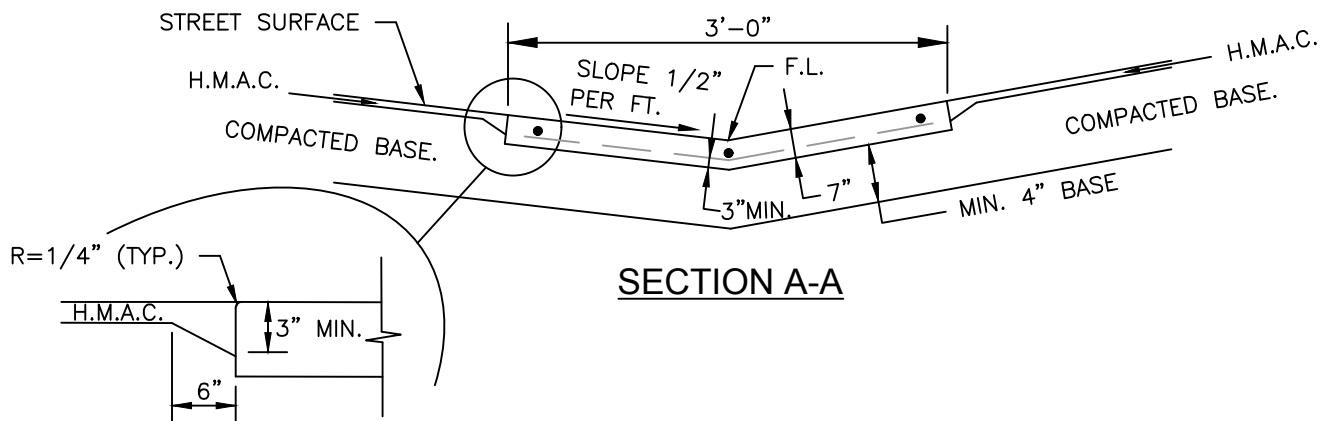
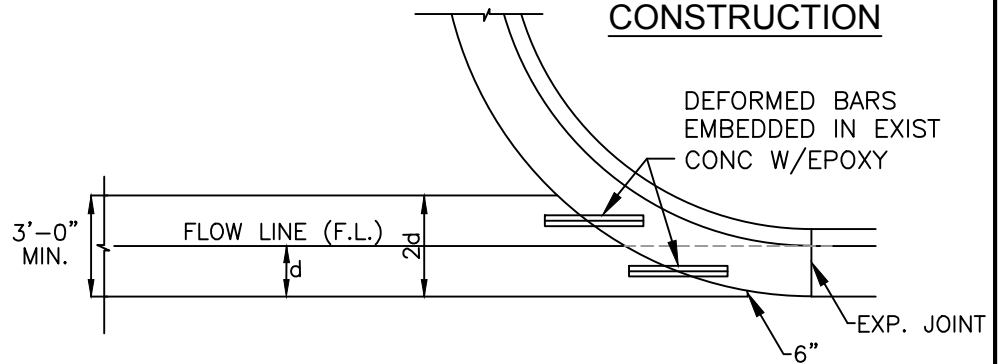
**NEW CONSTRUCTION**



**PLAN**



**EXISTING CONSTRUCTION**



**SECTION A-A**

**NOTES:**

1. MATERIALS AND CONSTRUCTION METHODS SHALL CONFORM TO THE CITY OF SCHERTZ STANDARD SPECIFICATIONS.
2. CONCRETE SHALL BE CLASS "A".
3. THE UPSTREAM CURB MID POINT MUST BE AT OR LOWER THAN THE BEGINNING P.C. AND .5% (MIN.) HIGHER THAN THE OPPOSING MID POINT.
4. PROVIDE CONSTRUCTION AND EXPANSION JOINTS AS PER CITY CURB AND GUTTER DETAILS.
5. ALL REBAR MUST HAVE A MINIMUM OF 3" OF COVER.